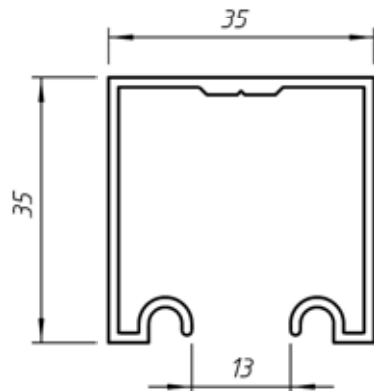
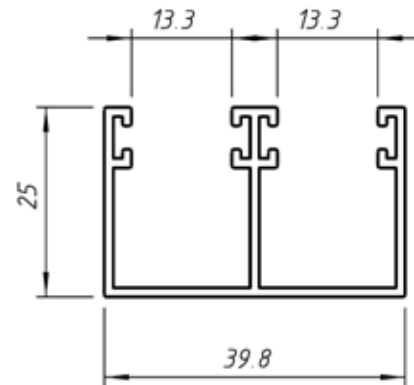


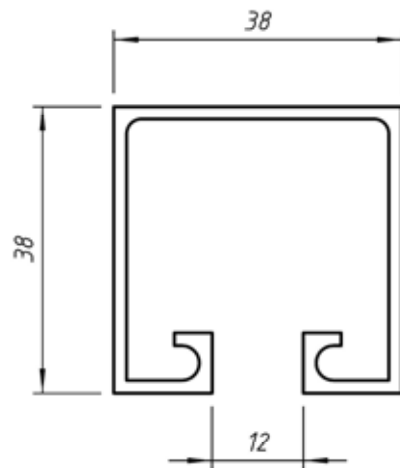
## GUIAS STANLEY



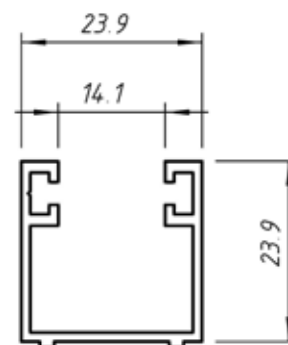
**AL-10 (U-1098)**  
0,496 Kg/m



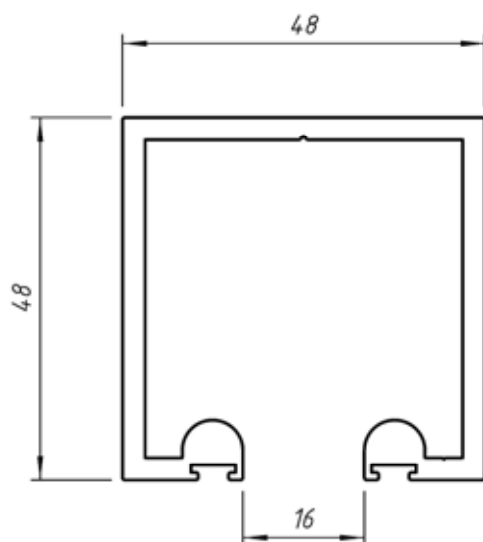
**AL-05 (BX-118)**  
0,456 Kg/m



**AL-11 (BX-142)**  
0,719 Kg/m



**AL-06 (BX-143)**  
0,309 Kg/m



**AL-12 (BX-155)**  
1,457 Kg/m